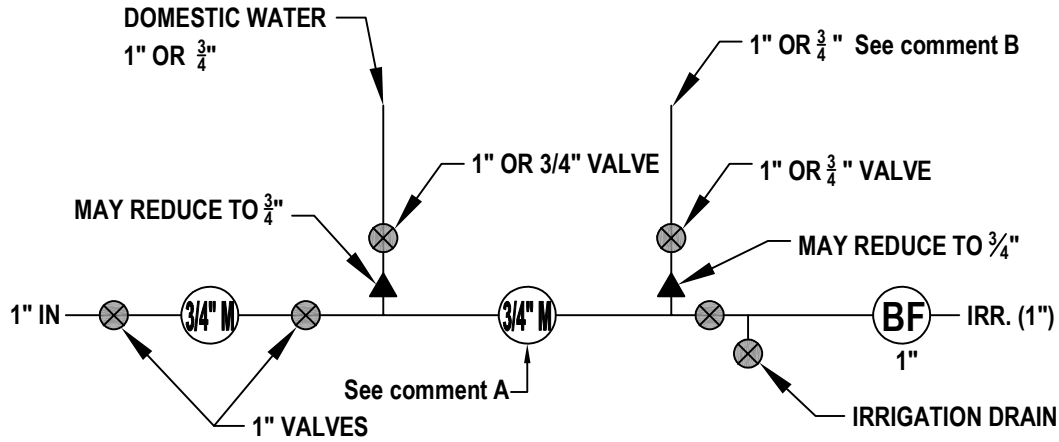
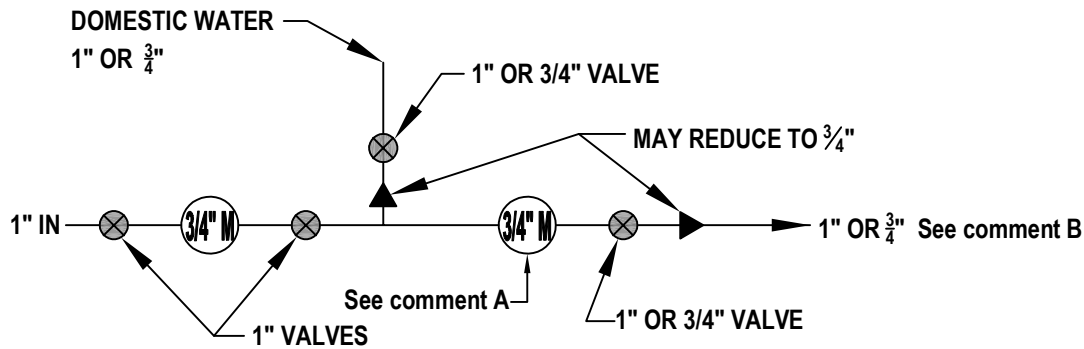


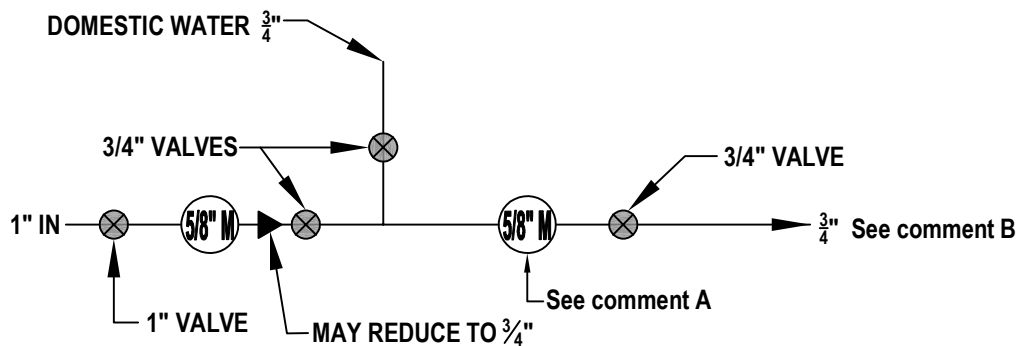
**IRRIGATION WILL BE INSTALLED WITH HOME**



**BUILDER CHOICE (3/4") - LARGE FIXTURE COUNT or IRRIGATION MAY BE ADDED**



**BUILDER CHOICE (5/8") - UNLIKELY TO IRRIGATE (MOST ECONOMICAL FOR CUSTOMER)**



**COMMENT A:** AT MINIMUM, IF THE SECONDARY DEDUCT METER IS NOT INSTALLED, THERE MUST BE A JUMPER IN PLACE TO ACCOMODATE A FUTURE METER SET AT THIS LOCATION. **IF THIS LINE WILL BE USED TO WATER OR ESTABLISH TURF OR PLANTINGS, THE CITY OF ANKENY HIGHLY RECOMMENDS THAT THE SECONDARY METER BE INSTALLED.**

**COMMENT B:** THE USE OF WATER SUPPLIED THROUGH THE SECONDARY WATER METER SHALL BE LIMITED TO SUCH USES WHICH DO NOT CAUSE AN INCREASE OR IMPACT ON SEWER USAGE. AT MINIMUM, MUST BE EXTENDED TO ONE EXTERIOR OR GARAGE SPIGOT. **THE CITY OF ANKENY REQUIRES THAT ALL NON-SEWER USE SUCH AS SILLCOCKS, HOSE BIBS, WALL HYDRANTS AND IRRIGATION SYSTEMS SHALL BE PIPED TO/FROM THE SECONDARY/DEDUCT WATER METER LOCATION.**