

Restroom Accessible/Single Use

Information for minimum floor space & fixture layout for single use restroom.

The attached drawings are provided for your information as it pertains to the minimum allowable size for a single use (men's, women's or unisex) restroom as applicable. These drawings do not depict all possible configurations. The drawings depict placement of fixtures and placement and swing of the restroom door, so as to comply with clear floor space requirements for an accessible restroom including wheelchair turning space. Also included are dimensions and clearance requirements for fixtures.

GENERAL REQUIREMENTS

Door - Shall provide a clear opening of 32" minimum with the door open 90°.

Door Hardware – Shall be lever type or push/pull.

Fixtures – Shall be handicap type, height & configuration.

Water closet shall be of accessible height (17" – 19" AFF).

Water closet flush control shall be located on accessible (open floor space) side.

Lavatory controls shall be operable with one hand and shall not require tight grasping, pinching, or twisting of the wrist.

Paper towel dispensers and/or hand dryers shall be provided within proper reach ranges. Operable parts shall be no more than 44 inches above the floor if located over lavatory or other obstruction and no more than 48 inches above the floor if located in clear floor space area.

Toilet paper dispensers shall be provided within proper reach ranges (see drawings).

Mirrors located above lavatories, sinks or counters shall be mounted with the bottom edge of the reflecting surface 40 inches maximum above the floor. Mirrors not located above lavatories, sinks or counters shall be mounted with the bottom edge of the reflecting surface 35 inches maximum above the floor.

Coat hooks (if provided) in clear floor space shall be located no more than 48 inches above the floor.

Shelves (if provided) shall be 40 inches minimum and 48 inches maximum above the floor.

Light switches shall be 48 inches maximum above the floor.

Grab bars shall be installed as shown.

*** A drinking fountain(s) when often required shall be installed outside of the restroom(s) (not shown on room layouts) and shall be of hi-low type or shall consist of one for people who use a wheelchair and one for standing persons.

In addition to required fixtures, a vent fan is required and shall be exhausted outside the building.

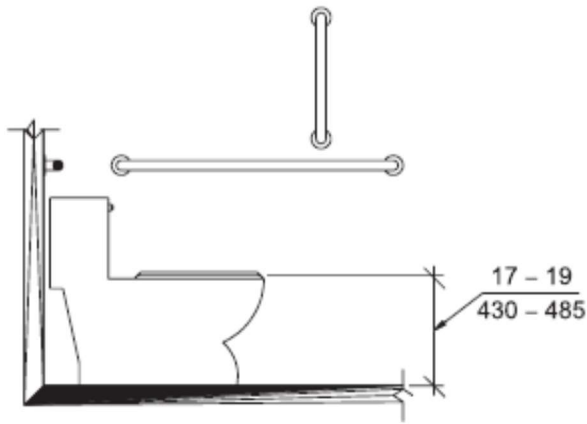


Fig. 604.4
Water Closet Height

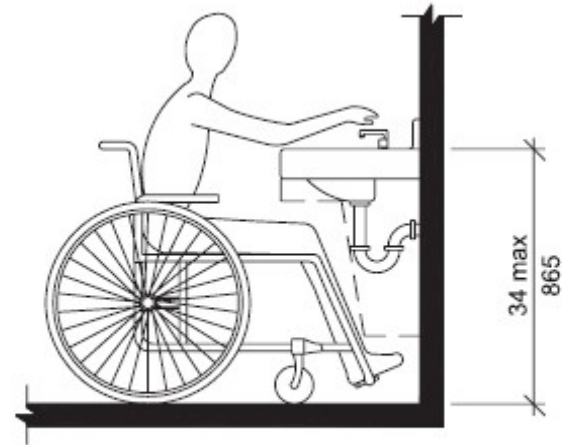


Fig. 606.3
Height of Lavatories and Sinks

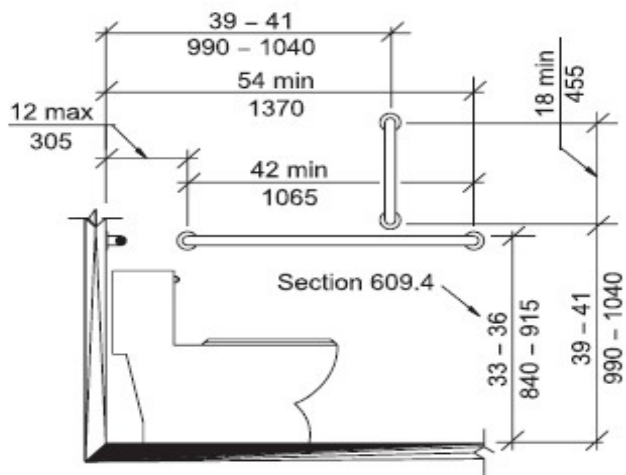


Fig. 604.5.1
Side Wall Grab Bar for Water Closet

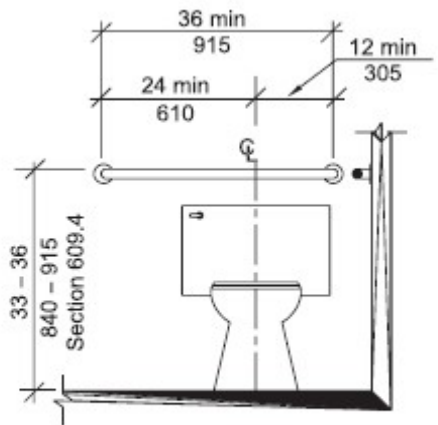
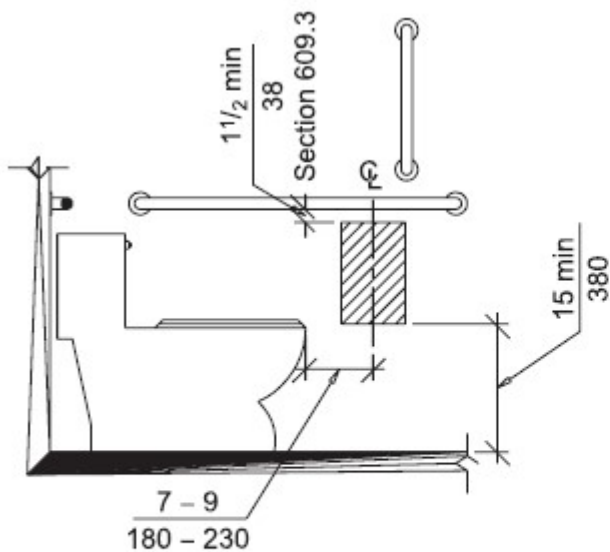
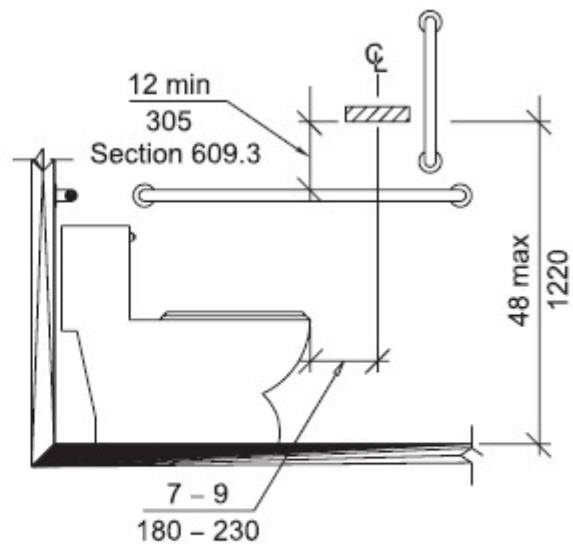


Fig. 604.5.2
Rear Wall Grab Bar for Water Closet

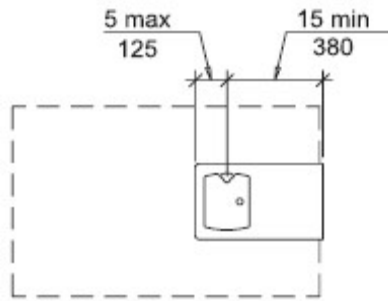


(a) Below Grab Bar

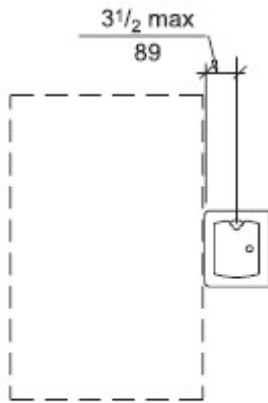


(b) Above Grab Bar

Fig. 604.7
Dispenser Location



(a) Forward Approach



(b) Parallel Approach

Fig. 602.5
Drinking Fountain Spout Location

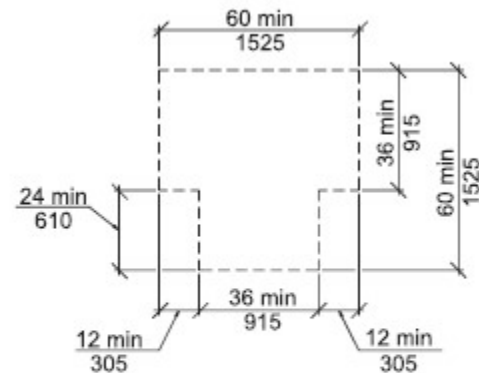
Drinking Fountain Spout Location

602.4 Spout Outlet Height. Spout outlets of wheelchair accessible drinking fountains shall be 36 inches (915 mm) maximum above the floor. Spout outlets of drinking fountains for standing persons shall be 38 inches (965 mm) minimum and 43 inches (1090 mm) maximum above the floor.

602.5 Spout Location. The spout shall be located 15 inches (380 mm) minimum from the vertical support and 5 inches (125 mm) maximum from the front edge of the drinking fountain, including bumpers.

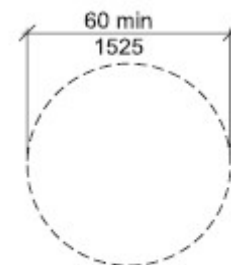
Where only a parallel approach is provided, the spout shall be located 3 1/2 inches (89 mm) maximum from the front edge of the drinking fountain, including bumpers.

602.6 Water Flow. The spout shall provide a flow of water 4 inches (102 mm) minimum in height. The angle of the water stream from spouts within 3 inches (76 mm) of the front of the drinking fountain shall be 30 degrees maximum, and from spouts between 3 inches (76 mm) and 5 inches (125 mm) from the front of the drinking fountain shall be 15 degrees maximum, measured horizontally relative to the front face of the drinking fountain.



(b) T-shaped

Fig. 304.3
Size of Turning Space



(a) Circular

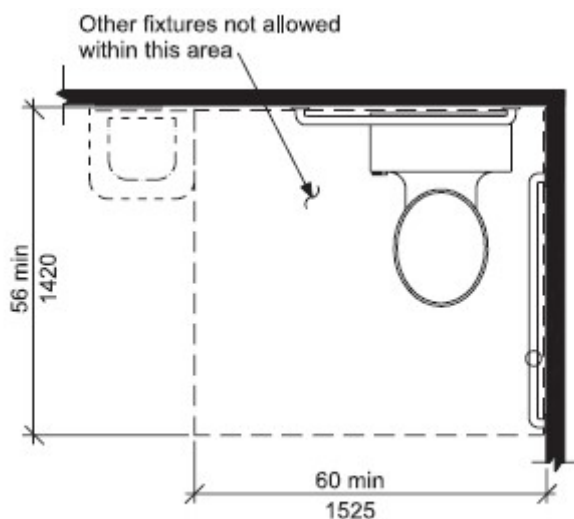


Fig. 604.3
Size of Clearance for Water Closet

